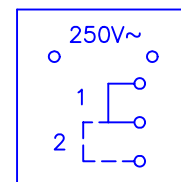
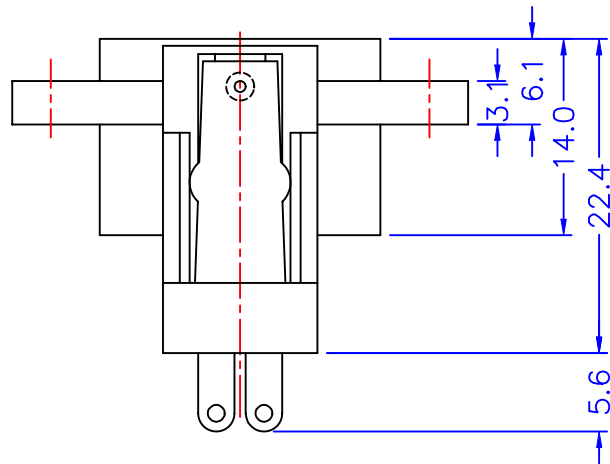
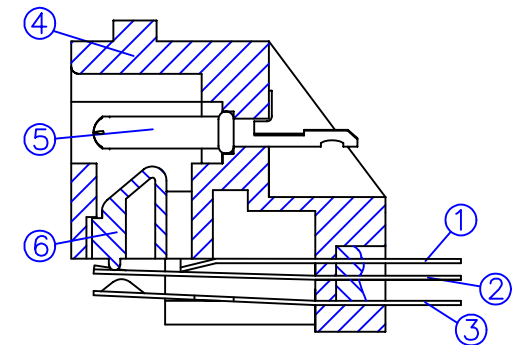


EPOXY FOR POSITION LOCK



SCHEMATIC



DO NOT SCALE DRAWING

E-Mail: Sales@peterparts.com | Phone: 585-265-2000 | Fax: 585-265-2542

ISSUE NO.	V1.0				NOTES: 1. GENERAL TOLERANCE: X.X ±0.3 X.XX ±0.20 X.XXX ±0.10 UNLESS STATED OTHERWISE 2. ANGLE TOLERANCE: X.° ±5° X.X° ±3.0° X.XX° ±1.0° UNLESS STATED OTHERWISE 3. DIMENSIONS ARE IN MM UNLESS STATED OTHERWISE	MECHANICAL STRUCTURE	MODEL NO.	AC-201		
DRAWN	萧冰					INSERTION FORCE	1.2-4.5kg	MATERIAL		
DATE	26-12-99					EXTRACTION FORCE	1.0-3.5kg	①	BRONZE <Ag PLATED>	⑦
CHECKED	刘建强					ACAD FILE:	SIZE A4	②	PHOSPHORIC BRONZE <Ag PLATED>	⑧
APPROVED	陈光照					c:\+GOODS\AC\201		③	BRONZE <Ag PLATED>	⑨
REMARK:							④	PC	⑩	
							⑤	BRONZE <Ni PLATED>	⑪	
							⑥	ABS	⑫	