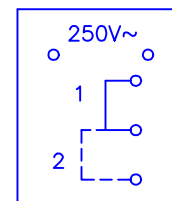
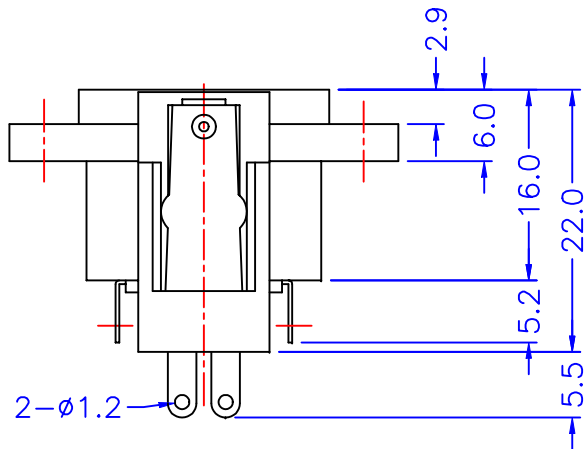
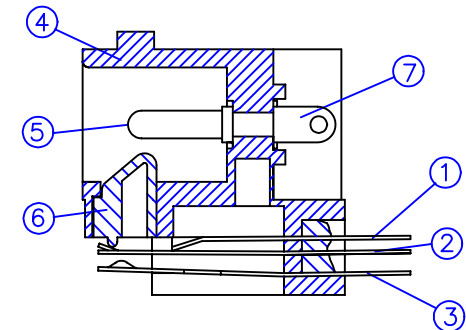


EPOXY FOR POSITION LOCK



SCHEMATIC



DO NOT SCALE DRAWING

E-Mail: Sales@peterparts.com | Phone: 585-265-2000 | Fax: 585-265-2542

ISSUE NO.	V1.0	V1.1	V1.2	NOTES: 1. GENERAL TOLERANCE: X.X ±0.30 X.XX ±0.20 X.XXX ±0.10 UNLESS STATED OTHERWISE 2. ANGLE TOLERANCE: X.° ±5° X.X° ±3.0° X.XX° ±1.0° UNLESS STATED OTHERWISE 3. DIMENSIONS ARE IN MM UNLESS STATED OTHERWISE	MECHANICAL STRUCTURE	MODEL NO.	AC-204			
DRAWN	萧冰	萧冰	萧冰		INSERTION FORCE	0.5-3.5kg	MATERIAL		PART NO.	
DATE	5-6-99	9-12-99	20-1-2002		EXTRACTION FORCE	0.3-3.5kg	①	BRONZE <Ag PLATED>	⑦	BRONZE <Ag PLATED>
CHECKED	刘建强	刘建强	刘建强		ACAD FILE:	SIZE A4	②	PHOSPHORIC BRONZE <Ag PLATED>	⑧	
APPROVED	陈光照	陈光照	陈光照		D:\+GOODS\F\AC\204		③	BRONZE <Ag PLATED>	⑨	
REMARK:						④	PC	⑩		
						⑤	BRONZE <Ni PLATED>	⑪		
						⑥	ABS	⑫		