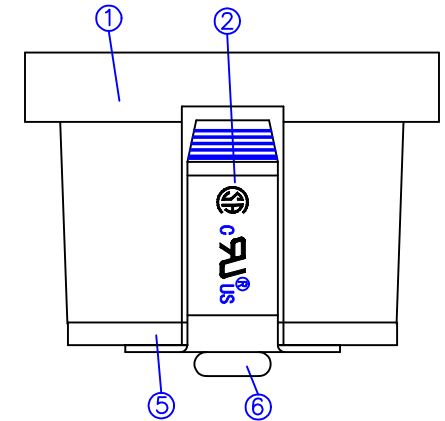
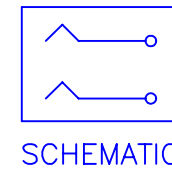
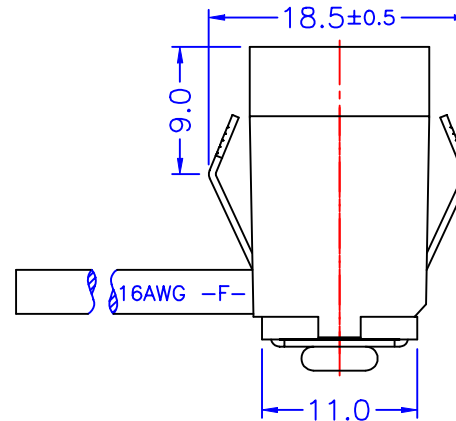
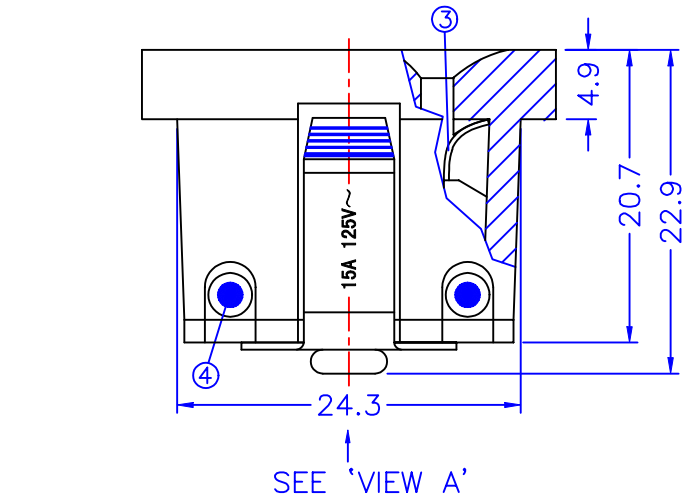


电线特性:

1. UL 1015 AWG #16 OD=3.1±0.1mm
2. 导体为无电镀红铜线。



CERTIFICATE NO: E140983



DO NOT SCALE DRAWING

E-Mail: Sales@peterparts.com | Phone: 585-265-2000 | Fax: 585-265-2542

ISSUE NO.	V1.0	V1.1	V1.2
DRAWN	萧冰	萧冰	萧冰
DATE	7-6-2001	23-10-2001	10-4-2002
CHECKED	刘建强	刘建强	刘建强
APPROVED	陈光照	陈光照	陈光照

NOTES:
 1. GENERAL TOLERANCE:
 X.X ±0.30
 X.XX ±0.20
 X.XXX ±0.10
 UNLESS STATED OTHERWISE
 2. ANGLE TOLERANCE:
 X.° ±5°
 X.X° ±3.0°
 X.XX° ±1.0°
 UNLESS STATED OTHERWISE
 3. DIMENSIONS ARE IN MM
 UNLESS STATED OTHERWISE

MECHANICAL STRUCTURE

MODEL NO.

AC-216

INSERTION FORCE

2.0-4.5kg

MATERIAL

PART NO.

EXTRACTION FORCE

1.0-3.0kg

① BAKELITE <PM-9820>

⑦

② STEEL

⑧

③ BRONZE

⑨

④ COPPER

⑩

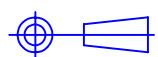
⑤ PHENOL RESIN

⑪

⑥ IRON <BLACK>

⑫

ACAD FILE:
 C:\+GOODS\AC\216-L



SIZE
 A4

REMARK: 线长L可根据客户要求改变。