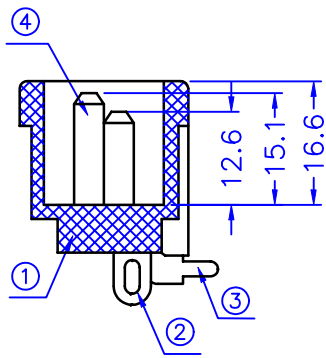
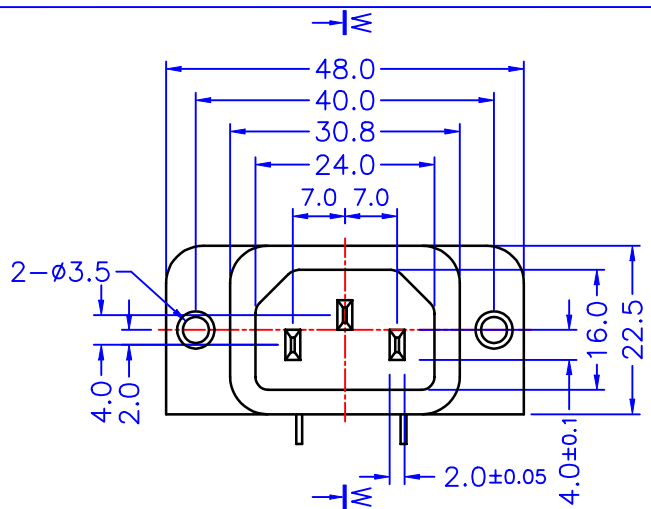
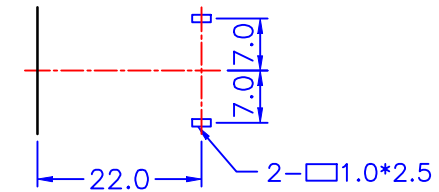
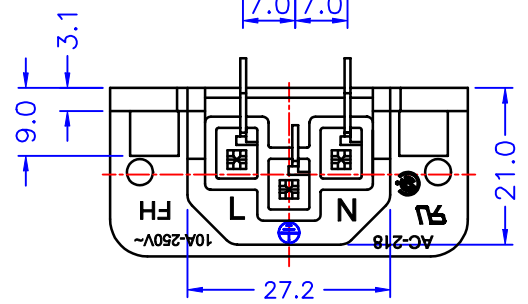
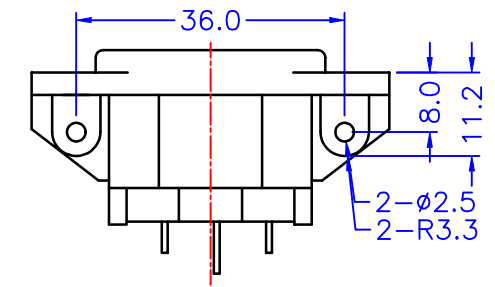
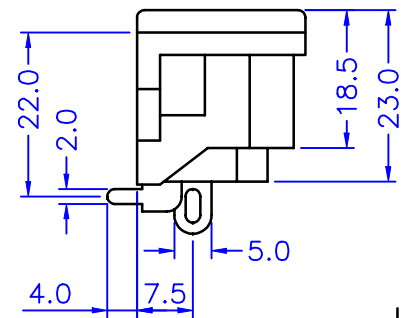
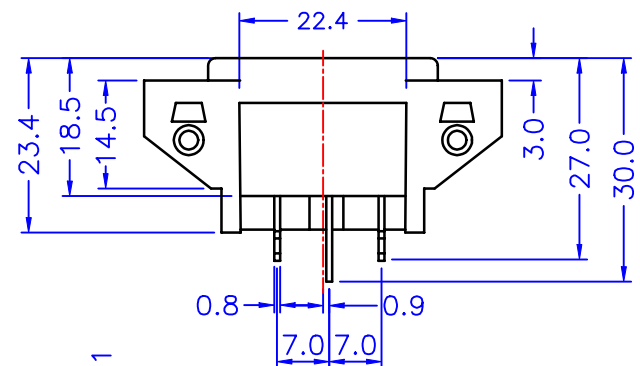


 CERTIFICATE NO: E140983

 CERTIFICATE NO: 212063-2500020463



SECTION W--W



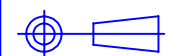
SCHEMATIC

DO NOT SCALE DRAWING

E-Mail: Sales@peterparts.com | Phone: 585-265-2000 | Fax: 585-265-2542

ISSUE NO.	V1.0	V1.1	V1.2
DRAWN	司徒小芬	司徒小芬	司徒小芬
DATE	30-6-2001	25-8-2001	19-12-2001
CHECKED	刘建强	刘建强	刘建强
APPROVED	陈光照	陈光照	陈光照
REMARK:			

NOTES:
 1. GENERAL TOLERANCE:
 X.X ±0.3
 X.XX ±0.20
 X.XXX ±0.10
 UNLESS STATED OTHERWISE
 2. ANGLE TOLERANCE:
 X' ±5"
 X.X' ±3.0"
 X.XX' ±1.0"
 UNLESS STATED OTHERWISE
 3. DIMENSIONS ARE IN MM
 UNLESS STATED OTHERWISE

MECHANICAL STRUCTURE		MODEL NO.	AC-218
INSERTION FORCE	6.0 Kg MAX	MATERIAL	PART NO.
EXTRACTION FORCE	0.5~5.5 Kg	① PBT	⑦
ACAD FILE:		② BRONZE <B.Sn-PLATED>	⑧
	SIZE A4	③ BRONZE <B.Sn-PLATED>	⑨
		④ BRONZE <B.Sn-PLATED>	⑩
		⑤	⑪
		⑥	⑫