



UAC230

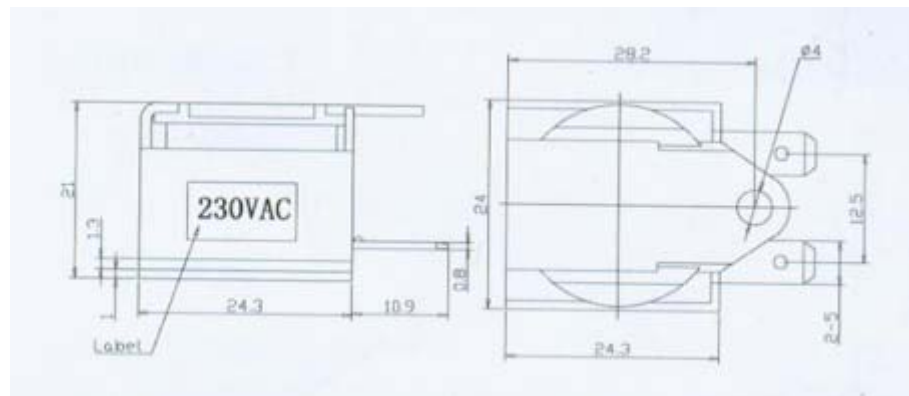
Type	Unit	UAC230
Rated Voltage	VAC	230
Operating Voltage	VAC	160-260
*Rated Current(MAX)	mA	30
*Min Sound Output at 10 cm	dB	83
Coil Resistance	Ω	7000±10%
Tab Material		Brass
Operating Temperature	°C	-20 - +60
Storage Temperature	°C	-30 - +70
Housing Material		PBT
Weight	g	34

\*Value Applying at Rated Voltage

**FREQUENCY RESPONSE:**

**DIMENSIONS:**

UNIT:mm  
Tolerance:±0.5mm





UAC230-120

Type	Unit	UAC230-120
Rated Voltage	VAC	120
Operating Voltage	VAC	70 - 150
*Rated Current(MAX)	mA	30
*Min Sound Output at 10 cm	dB	75
Coil Resistance	Ω	4200±10%
Tab Material	Brass	
Operating Temperature	°C	-20 - +60
Storage Temperature	°C	-30 - +70
Housing Material	PBT	
Weight	g	34

\*Value Applying at Rated Voltage

**FREQUENCY RESPONSE:**

**DIMENSIONS:**

UNIT:mm  
Tolerance:±0.5mm

