



UME1048-6

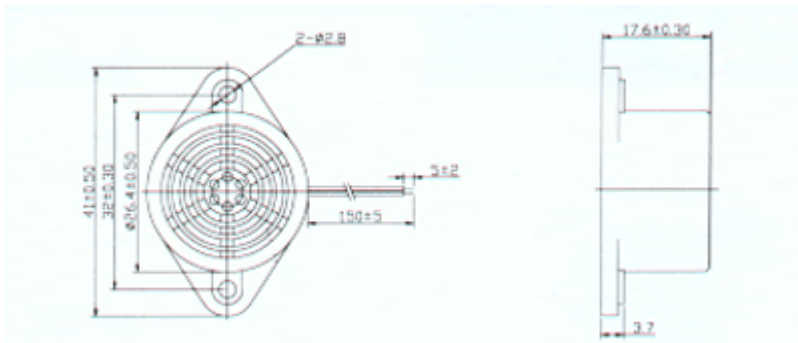
Type	Unit	UME1048-6
Rated Voltage	V	6
Operating Voltage	V	4-8
*Rated Current(MAX)	mA	33
*Min Sound Output at 10 cm	dB	95
Fundamental Frequency	Hz	400±100
Tone Nature	Single	
Lead Wire	UL1007 AWG28	
Operating Temperature	°C	-20 - +60
Storage Temperature	°C	-30 - +70
Housing Material	ABS	
Weight	g	17

*Value Applying at Rated Voltage

FREQUENCY RESPONSE:

DIMENSIONS:

UNIT: mm
Tolerance: ±0.5mm





UME1048-12

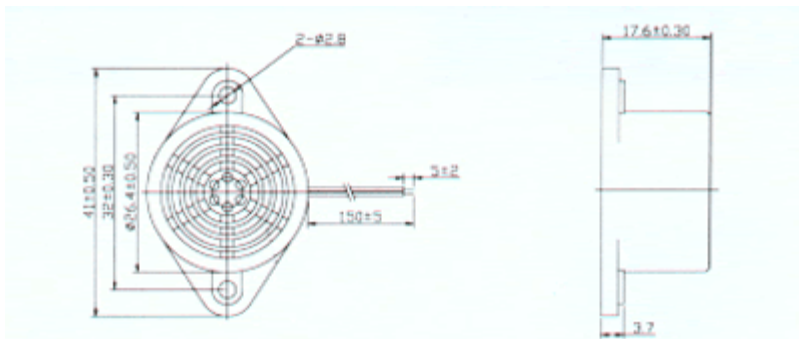
Type	Unit	UME1048-12
Rated Voltage	V	12
Operating Voltage	V	7-16
*Rated Current(MAX)	mA	23
*Min Sound Output at 10 cm	dB	95
Fundamental Frequency	Hz	400±100
Tone Nature	Single	
Lead Wire	UL1007 AWG28	
Operating Temperature	°C	-20 - +60
Storage Temperature	°C	-30 - +70
Housing Material	ABS	
Weight	g	17

*Value Applying at Rated Voltage

FREQUENCY RESPONSE:

DIMENSIONS:

UNIT: mm
Tolerance: ±0.5mm





UME1048-24

Type	Unit	UME1048-24
Rated Voltage	V	24
Operating Voltage	V	20-28
*Rated Current(MAX)	mA	21
*Min Sound Output at 10 cm	dB	95
Fundamental Frequency	Hz	400±100
Tone Nature	Single	
Lead Wire	UL1007 AWG28	
Operating Temperature	°C	-20 - +60
Storage Temperature	°C	-30 - +70
Housing Material	ABS	
Weight	g	17

*Value Applying at Rated Voltage

FREQUENCY RESPONSE:

DIMENSIONS:

UNIT: mm
Tolerance: ±0.5mm

