



UME208-1.5

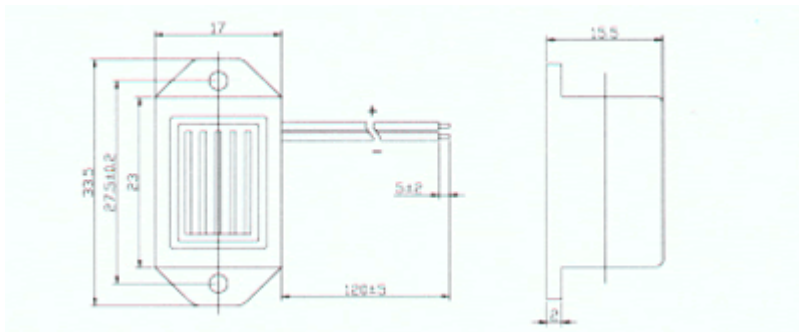
Type	Unit	UME208-1.5
Rated Voltage	V	1.5
Operating Voltage	V	1.2-3
*Rated Current(MAX)	mA	20
*Min Sound Output at 20 cm	dB	70
Fundamental Frequency	Hz	400±100
Tone Nature	Single	
Lead Wire	UL1095 AWG26	
Operating Temperature	°C	-10 - +60
Storage Temperature	°C	-10 - +70
Housing Material	ABS	
Weight	g	10

*Value Applying at Rated Voltage(DC)

FREQUENCY RESPONSE:

DIMENSIONS:

UNIT: mm
Tolerance: ±0.5mm





UME208-3

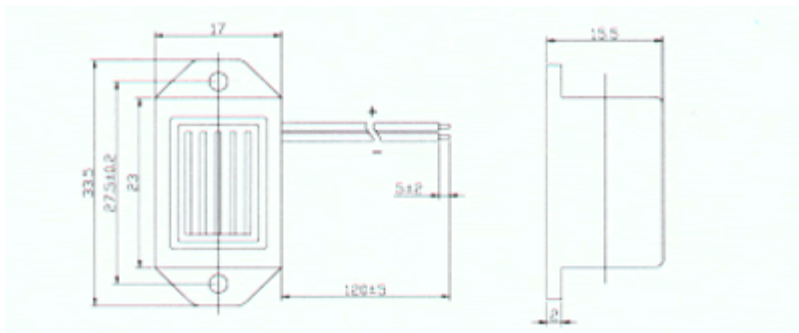
Type	Unit	UME208-3
Rated Voltage	V	3
Operating Voltage	V	2-4
*Rated Current(MAX)	mA	25
*Min Sound Output at 20 cm	dB	70
Fundamental Frequency	Hz	400±100
Tone Nature	Single	
Lead Wire	UL1095 AWG26	
Operating Temperature	°C	-10 - +60
Storage Temperature	°C	-10 - +70
Housing Material	ABS	
Weight	g	10

*Value Applying at Rated Voltage(DC)

FREQUENCY RESPONSE:

DIMENSIONS:

UNIT: mm
Tolerance: ±0.5mm





UME208-6

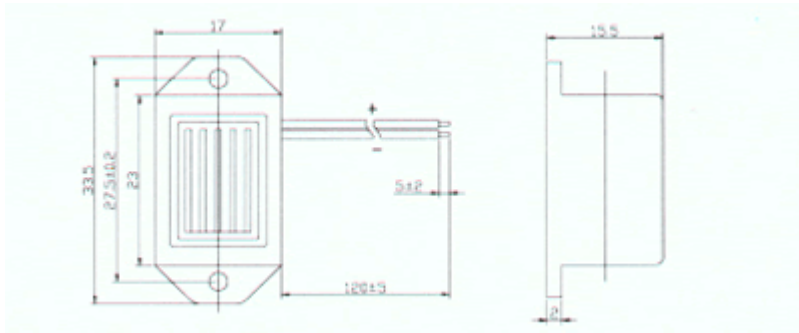
Type	Unit	UME208-6
Rated Voltage	V	6
Operating Voltage	V	4-8
*Rated Current(MAX)	mA	25
*Min Sound Output at 20 cm	dB	75
Fundamental Frequency	Hz	400±100
Tone Nature	Single	
Lead Wire	UL1095 AWG26	
Operating Temperature	°C	-10 - +60
Storage Temperature	°C	-10 - +70
Housing Material	ABS	
Weight	g	10

*Value Applying at Rated Voltage(DC)

FREQUENCY RESPONSE:

DIMENSIONS:

UNIT: mm
Tolerance: ±0.5mm





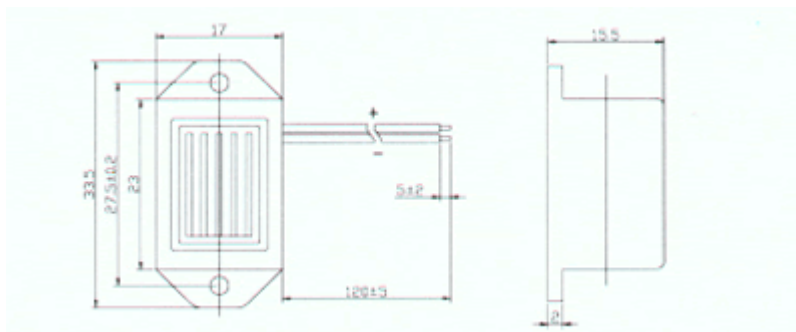
UME208-9

Type	Type	UME208-9
Rated Voltage	V	9
Operating Voltage	V	6-12
*Rated Current(MAX)	mA	25
*Min Sound Output at 20 cm	dB	75
Fundamental Frequency	Hz	400±100
Tone Nature		Single
Lead Wire		UL1095 AWG26
Operating Temperature	°C	-10 - +60
Storage Temperature	°C	-10 - +70
Housing Material		ABS
Weight	g	10

*Value Applying at Rated Voltage(DC)

**FREQUENCY RESPONSE:
DIMENSIONS:**

UNIT: mm
Tolerance: ±0.5mm





UME208-12

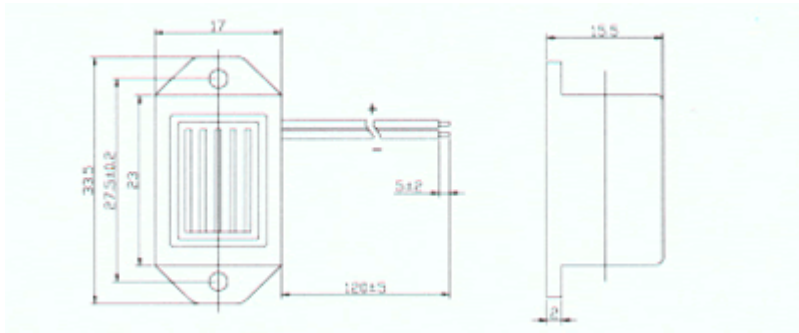
Type	Unit	UME208-12
Rated Voltage	V	12
Operating Voltage	V	9-15
*Rated Current(MAX)	mA	25
*Min Sound Output at 20 cm	dB	75
Fundamental Frequency	Hz	400±100
Tone Nature	Single	
Lead Wire	UL1095 AWG26	
Operating Temperature	°C	-10 - +60
Storage Temperature	°C	-10 - +70
Housing Material	ABS	
Weight	g	10

*Value Applying at Rated Voltage(DC)

FREQUENCY RESPONSE:

DIMENSIONS:

UNIT: mm
Tolerance: ±0.5mm





UME208-24

Type	Unit	UME208-24
Rated Voltage	V	24
Operating Voltage	V	15-27
*Rated Current(MAX)	mA	30
*Min Sound Output at 20 cm	dB	75
Fundamental Frequency	Hz	400±100
Tone Nature	Single	
Lead Wire	UL1095 AWG26	
Operating Temperature	°C	-10 - +60
Storage Temperature	°C	-10 - +70
Housing Material	ABS	
Weight	g	10

*Value Applying at Rated Voltage(DC)

FREQUENCY RESPONSE:

DIMENSIONS:

UNIT: mm
Tolerance: ±0.5mm

