



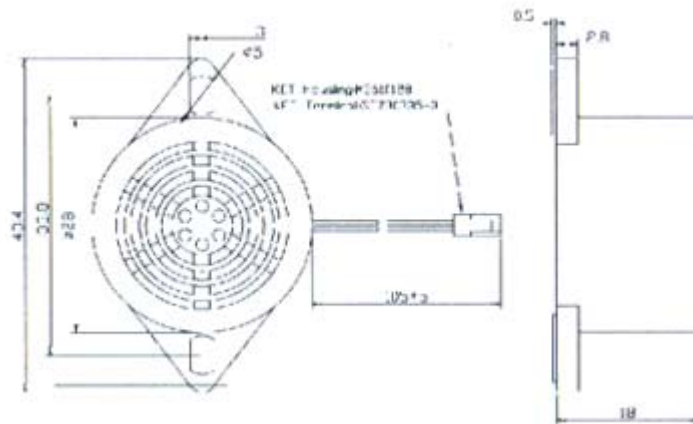
UME2824

|                            |              |         |
|----------------------------|--------------|---------|
| Type                       | Unit         | UME2824 |
| Rated Voltage              | V            | 24      |
| Operating Voltage          | V            | 18~28   |
| *Rated Current(MAX)        | mA           | 30      |
| *Min Sound Output at 10 cm | dB           | 90      |
| *Resonant Frequency        | Hz           | 400±100 |
| Tone Nature                | Single       |         |
| Lead Wire                  | UL1007 AWG26 |         |
| Operating Temperature      | °C           | -20~+60 |
| Storage Temperature        | °C           | -30~+70 |
| Housing Material           | ABS          |         |
| Weight                     | g            | 12      |

\*Value Applying at Rated Voltage(DC)

**FREQUENCY RESPONSE:**

**DIMENSIONS:**



UNIT: mm  
Tolerance: ±0.5mm