

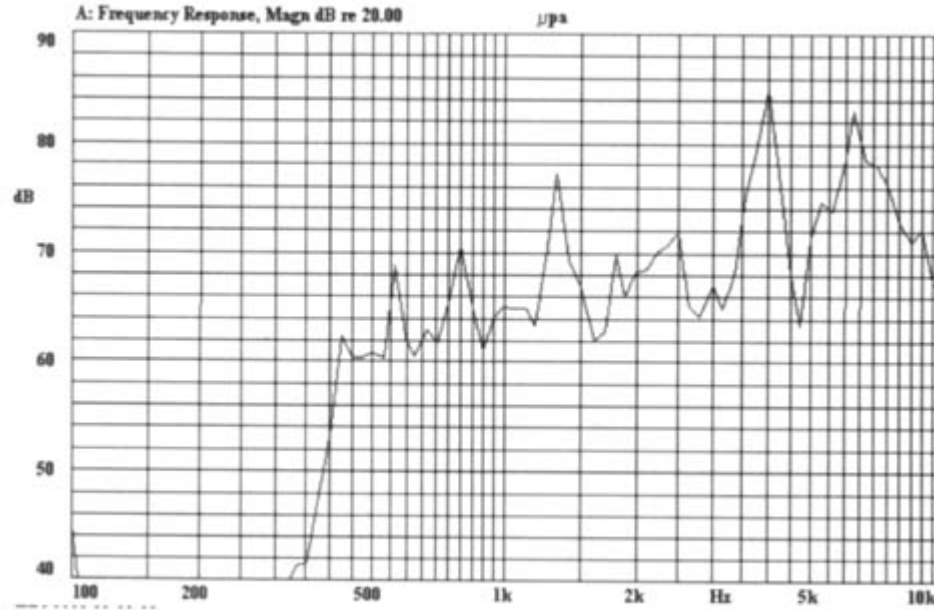


UPA14C4003P

Type	Unit	UPA14C4003P
Rated Voltage(Square wave)	Vp-p	3
Operating Voltage	Vp-p	1-30
*Rated Current(MAX)	mA	1
*Min Sound Output at 4 KHz/10cm	dB	75
Capacitance at 1KHZ	pF	12000±30%
*Resonant Frequency	Hz	4000±500
Lead Pin Material	Phosphor bronze	
Operating Temperature	°C	-20 - +80
Storage Temperature	°C	-30 - +85
Housing Material	MPPO	
Weight	g	1

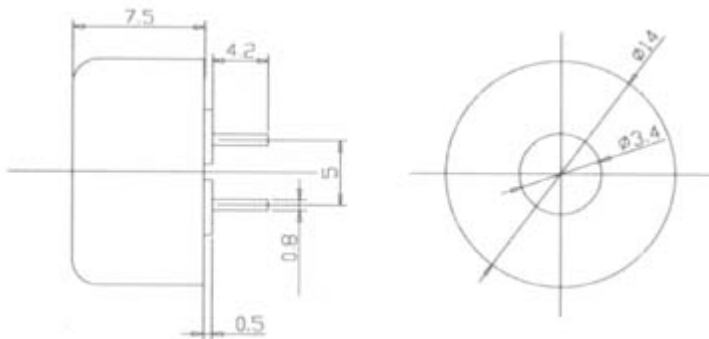
*Value Applying at Rated Voltage (resonant frequency, 1/2 duty, square wave)

FREQUENCY RESPONSE:



DIMENSIONS:

UNIT: mm
Tolerance: ±0.5mm



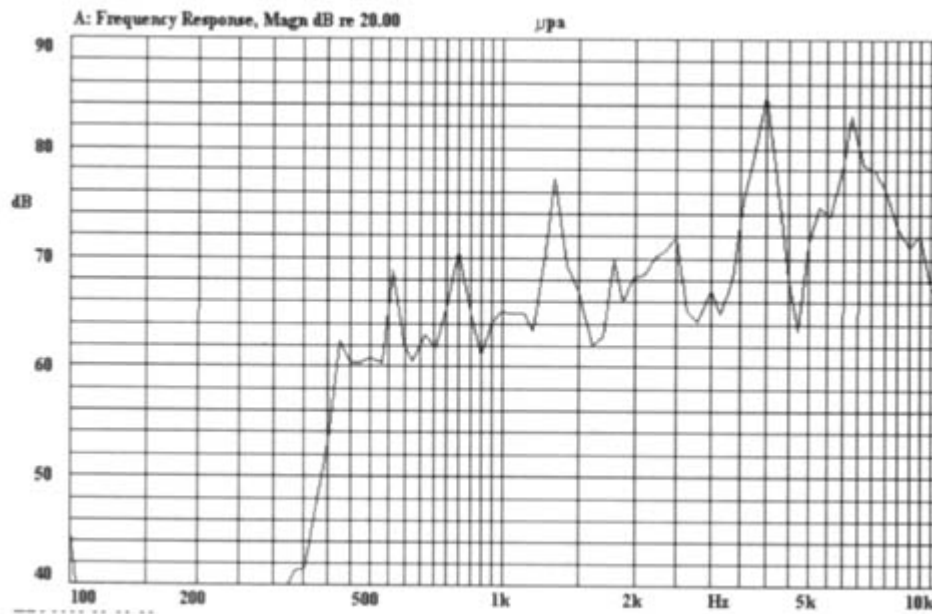


UPA14C4005P

Type	Unit	UPA14C4005P
Rated Voltage(Square wave)	Vp-p	5
Operating Voltage	Vp-p	1-30
*Rated Current(MAX)	mA	2
*Min Sound Output at 4 KHz/10cm	dB	80
Capacitance at 1KHZ	pF	12000±30%
*Resonant Frequency	Hz	4000±500
Lead Pin Material	Phosphor bronze	
Operating Temperature	°C	-20 - +80
Storage Temperature	°C	-30 - +85
Housing Material	MPPO	
Weight	g	1

*Value Applying at Rated Voltage (resonant frequency, 1/2 duty, square wave)

FREQUENCY RESPONSE:



DIMENSIONS:

UNIT: mm
Tolerance: ±0.5mm

