

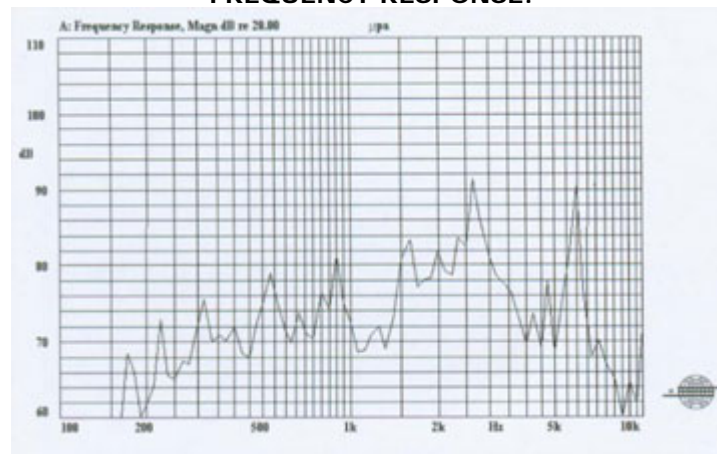


UPA23J2612P

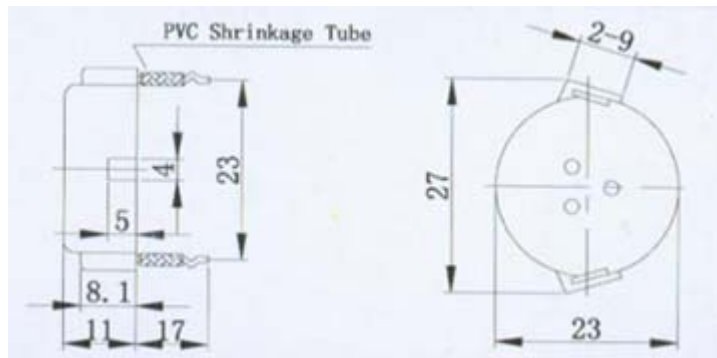
Type	Unit	UPA23J2612P
Rated Voltage(Square wave)	Vp-p	12
Operating Voltage	Vp-p	1-30
*Rated Current(MAX)	mA	5
*Min Sound Output at 2.6KHz/10cm	dB	88
Sound Pressure Leve1/10cm(Typ.)	dB	90
*Resonant Frequency	Hz	2600±500
Capacitance at 120Hz	pF	20000±30%
Lead Pin Material	Phosphor Bronze	
Operating Temperature	°C	-20 - +60
Storage Temperature	°C	-30 - +70
Housing Material	ABS	
Weight	g	3

*Value Pplying at Rated Voltage(resonant frequency, 1/2duty,square wave)

FREQUENCY RESPONSE:



DIMENSIONS:



UNIT: mm
Tolerance: ±0.5mm