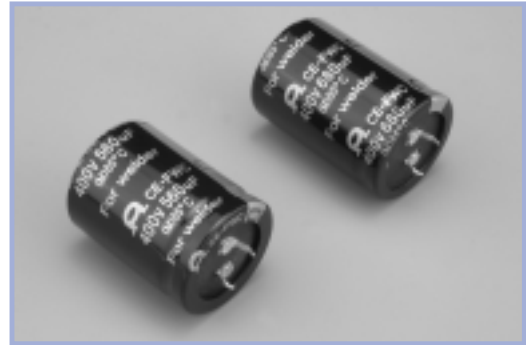


FWC SERIES

85°C, For welding, high ripple current

Features

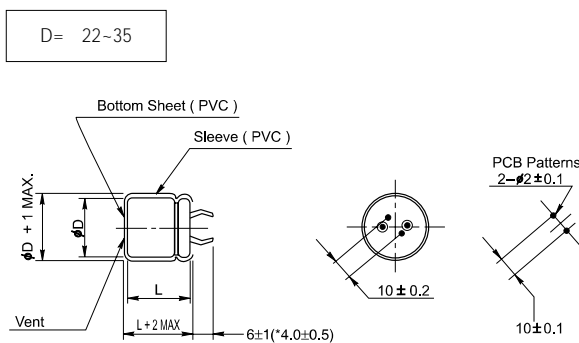
- PCB Mounting
- Compact size
- High CV density, high ripple current
- High reliability for continuous operation
- Load life of 2000 hours at 85°C



Specifications

Item	Performance Characteristics	
Operating temperature range	- 25°C ~ +105°C	
Rated working voltage range	350V ~ 400V	
Nominal capacitance range	82μF ~ 820μF, ± 20% (at 20°C, 120Hz)	
D.C Leakage current(at 20°C)	The following specifications shall be satisfied when the rated voltage is applied for the required time. $I \leq 0.02CV$ or 2mA(3 min), whichever is less Where I =Leakage current(μA) C=Nominal capacitance(μF) V=Rated voltage(V)	
Tan δ (max., at 20°C, 120Hz)	W.V(V)	350 ~ 400
	Tan δ	0.10
Characteristics at low temperature(max.) (impedance ratio at 120Hz)	W.V(V)	350 ~ 400
	Z-25°C/+20°C	6
Load life	After applying rated working voltage for 2000 hours at +85°C and then being stabilized at +20°C, capacitors shall meet following limits.	
	Capacitance change	Within ± 20% of the initial measured value
	Tan δ	≤ 200% of the initial specified value
	Leakage current	≤ The initial specified value
Shelf life	After storage for 1000 hours at +85°C with no voltage applied and then being stabilized at +20°C, capacitors shall meet following limits.	
	Capacitance change	Within ± 20% of the initial measured value
	Tan δ	≤ 150% of the initial specified value
	Leakage current	≤ 200% of the initial specified value

Dimensions



* Shorter terminal is available upon request

Ripple current coefficient

• Frequency

W.V(V)	Freq(Hz)	50	120	500	1K	10K	100K
350~450		0.8	1.0	1.20	1.25	1.35	1.40

• Temperature

Temperature	≤ 45°C	60°C	70°C	85°C
Factor	1.48	1.30	1.15	1.0

FWC SERIES

Standard Ratings of FWC Series

D x L (mm)

W.V(V) Cap(μF)	350(2V)				400(2G)			
	22	25	30	35	22	25	30	35
82					22x25 0.78			
100	22x25 0.86				22x30 0.90	25x25 0.90		
120	22x30 0.99	25x25 0.99			22x35 1.02	25x25 0.98		
150	22x35 1.14	25x30 1.10			22x40 1.16	25x30 1.14	30x25 1.16	
180	22x40 1.28	25x30 1.24	30x25 1.24		22x45 1.31	25x35 1.30	30x30 1.44	35x25 1.32
220	22x45 1.44	25x35 1.44	30x30 1.44	35x25 1.44	22x45 1.49	25x40 1.47	30x35 1.57	35x25 1.47
270	22x50 1.64	25x40 1.63	30x35 1.66	35x30 1.63	22x50 1.64	25x45 1.67	30x35 1.66	35x30 1.69
330		25x50 1.88	30x35 1.83	35x30 1.87		25x50 1.88	30x40 1.90	35x30 1.87
390			30x40 2.06	35x35 2.03			30x45 2.13	35x35 2.08
470			30x50 2.40	35x40 2.33			30x50 2.40	35x40 2.39
560				35x40 2.60				35x45 2.69
680				35x45 2.96				35x50 3.04
820				35x50 3.04				

I_r: Maximum Permissible Ripple Current[A(rms) at 85°C,120Hz]

Case size [D x L(mm)]