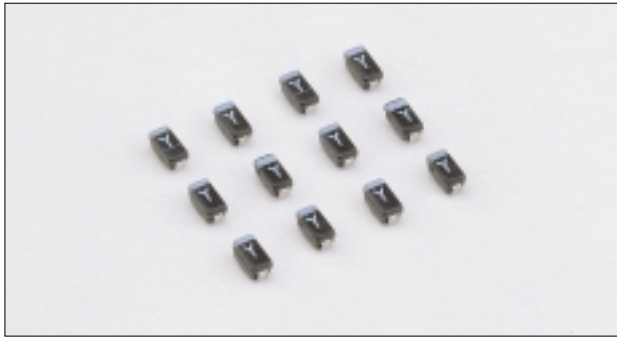


TJ SERIES

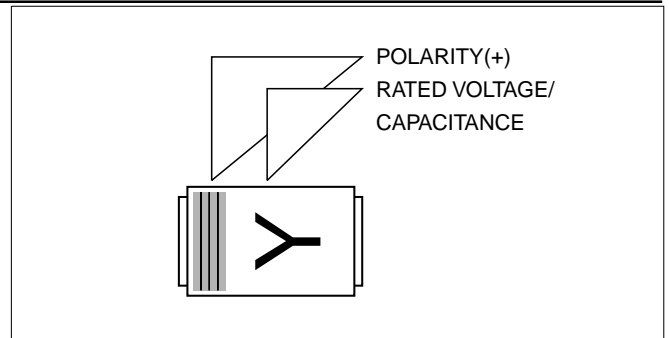
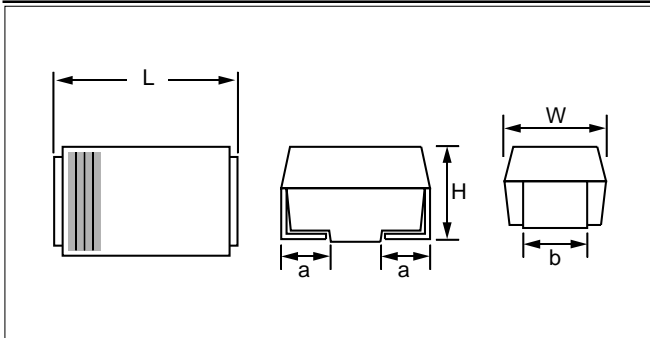
TANTALUM CAPACITOR



FEATURES

- Capacitance : 0.1 μ F to 15 μ F
- 100% Surge current test on each size
- Capacitance tolerance : $\pm 20\%$ (M)
- Standard Range Values
- Voltage : 2.5VDC to 20VDC

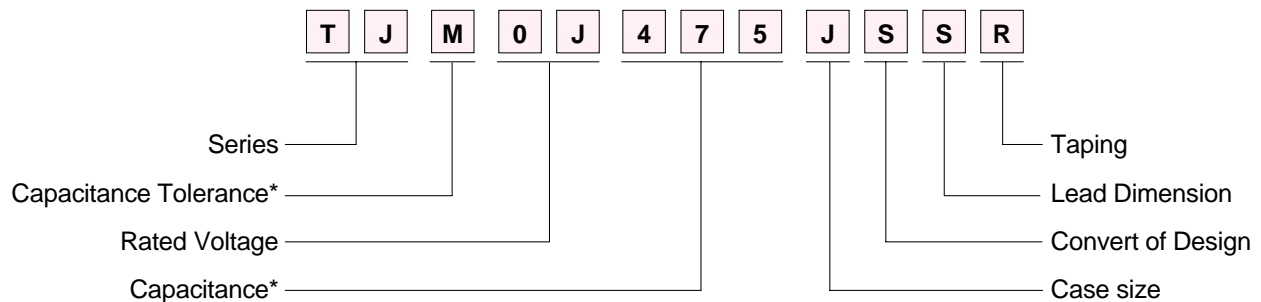
CASE DIMENSIONS AND MARKINGS



(unit : mm)

Size	Code	L	W	H	a	b
1608	J	1.6 \pm 0.1	0.8 \pm 0.1	0.9 max	0.4 \pm 0.15	0.6 \pm 0.15

ORDERING INFORMATION



Capacitance* : First two digits represent significant figures.
Third digit specifies number of zeros to follow.

Capacitance Tolerance* : M - $\pm 20\%$

SPECIFICATIONS

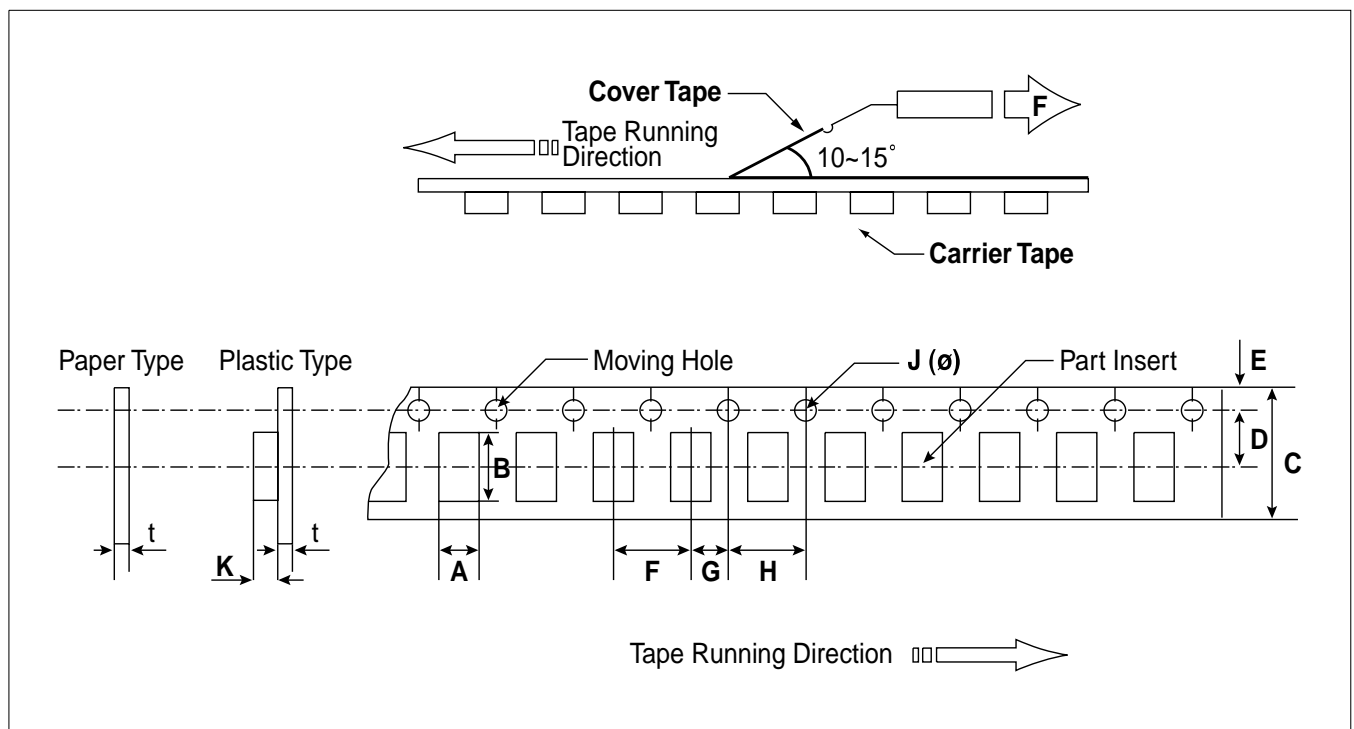
Capacitance	Range	0.1 μ F to 15 μ F				
	Tolerance	$\pm 20\%$ (M)				
Dissipation Factor (tan δ)	$C \leq 1.0\mu\text{F}$	D.F $\leq 8.0\%$				
	$1.5\mu\text{F} \leq C \leq 6.8\mu\text{F}$	D.F $\leq 10.0\%$				
	$C \geq 10\mu\text{F}$	D.F $\leq 12.0\%$				
Leakage Current		between 0.01CV and 0.5 μ A, whichever is higher				
Rated Voltage (V _R)		4.0	6.3	10.0	16.0	20.0
Operating Voltage (V _O)	$T \leq 85^\circ\text{C}$	4.0	6.3	10.0	16.0	20.0
	$85 < T \leq 125^\circ\text{C}$	2.5	4.0	6.3	10.0	13.0
Surge Voltage (V _S)	$T \leq 85^\circ\text{C}$	5.2	8.0	13.0	20.0	25.0
	$85 < T \leq 125^\circ\text{C}$	3.2	5.0	8.0	13.0	16.0
Operating Temperature		-55 $^\circ$ C to 125 $^\circ$ C				

CAPACITANCE AND VOLTAGE RANGE

W.V		2.5	4	6.3	10	16	20
0.10	104						
0.15	154						
0.22	224					J (B)	
0.33	334						
0.47	474						
0.68	684						
1.0	105					J (n)	J (t)
1.5	155				J	J	
2.2	225			J	J(e)		
3.3	335		J	J			
4.7	475	J	J	J (Y)			
6.8	685	J	J	J			
10	106	J	J (R)	J (a)			
15	156						() : Marking

TAPE AND REEL DIMENSIONS

- Tape : Semitransparent emboss tape
- Cover tape : Attached for heating press polyester or adhesive cover tape
- The tension of removing cover tape
 - Heating press : $F = 50 \pm 20g$
 - Adhesive : $F = 30 \pm 15g$



• TJ Series Carrier Tape Dimensions and Packing Quantity

(unit : mm)

Classification	Dimension	Remark
A	1.0 ± 0.2 mm	
B	1.95 ± 0.2 mm	
C	8.0 ± 0.3 mm	
D	3.5 ± 0.1 mm	
E	1.75 ± 0.1 mm	
F	4.0 ± 0.1 mm	
G	2.0 ± 0.1 mm	
H	4.0 ± 0.1 mm	
J	$1.5 +0.1, -0.0$ mm	
t	1.1 mm Max	Paper type
	0.25 ± 0.02 mm	Plastic type
K	0.9 mm MAX	
Packing Quantity	4,000 pcs/reel	
Inner box	5 reel/inner box (20Kp)	
Outer box	10 inner boxes/outer box (200Kp)	

TJ SERIES RATINGS & PART NUMBER REFERENCE

Rated Voltage(V)	Cap (μF)	tan δ (%)	D.C.L (μA)	Marking	Part No.
4	4.7	10.0	0.50	P	TJM0G475JSSR
4	6.8	10.0	0.50	Q	TJM0G685JSSR
4	10	12.0	0.50	R	TJM0G106JSSR
6.3	2.2	10.0	0.50	W	TJM0J225JSSR
6.3	3.3	10.0	0.50	X	TJM0J335JSSR
6.3	4.7	10.0	0.50	Y	TJM0J475JSSR
6.3	6.8	10.0	0.50	Z	TJM0J685JSSR
6.3	10	12.0	0.63	a	TJM0J106JSSR
10	2.2	10.0	0.50	e	TJM1A225JSSR
16	0.22	8.0	0.50	B	TJM1C224JSSR
16	1.0	8.0	0.50	n	TJM1C105JSSR
20	1.0	8.0	0.50	t	TJM1D105JSSR