

# SPECIFICATION FOR LCD MODULE

**MODULE NO.: BC-1602D-SBYA-N-G-A00**  
**Doc.Version: 00**

Filled in by customer:

Check list item:

- |                                       |                          |    |                          |    |
|---------------------------------------|--------------------------|----|--------------------------|----|
| 1.Viewing area:                       | <input type="checkbox"/> | OK | <input type="checkbox"/> | NG |
| 2.Module dimension:                   | <input type="checkbox"/> | OK | <input type="checkbox"/> | NG |
| 3.Module thickness:                   | <input type="checkbox"/> | OK | <input type="checkbox"/> | NG |
| 4.Appearance:                         | <input type="checkbox"/> | OK | <input type="checkbox"/> | NG |
| 5.Viewing angle:                      | <input type="checkbox"/> | OK | <input type="checkbox"/> | NG |
| 6.Background color:                   | <input type="checkbox"/> | OK | <input type="checkbox"/> | NG |
| 7.Backlight brightness:               | <input type="checkbox"/> | OK | <input type="checkbox"/> | NG |
| 8.Backlight color:                    | <input type="checkbox"/> | OK | <input type="checkbox"/> | NG |
| 9.Backlight electronic characteristic | <input type="checkbox"/> | OK | <input type="checkbox"/> | NG |
| 10.Pattern:                           | <input type="checkbox"/> | OK | <input type="checkbox"/> | NG |
| 11.Contrast:                          | <input type="checkbox"/> | OK | <input type="checkbox"/> | NG |
| 12.Function:                          | <input type="checkbox"/> | OK | <input type="checkbox"/> | NG |
| 13.Characteristic:                    | <input type="checkbox"/> | OK | <input type="checkbox"/> | NG |
| 14.Vlcd:                              | <input type="checkbox"/> | OK | <input type="checkbox"/> | NG |
| 15.Module operation current:          | <input type="checkbox"/> | OK | <input type="checkbox"/> | NG |
| 16.Reliability Test:                  | <input type="checkbox"/> | OK | <input type="checkbox"/> | NG |
| 17.Test Result:                       | <input type="checkbox"/> | OK | <input type="checkbox"/> | NG |
| 18.Others                             | <input type="checkbox"/> | OK | <input type="checkbox"/> | NG |

Customer Approval:

<input type="checkbox"/> Accept	<input type="checkbox"/> Reject
---------------------------------	---------------------------------

Prepare	Engineer		
Check	Mechanical Engineer		
Check	Electronic Engineer		
Verify			
Approval			

WIMRD005-02-B

**DOCUMENT REVISION HISTORY**

<b>Sample Version</b>	<b>Doc. Version</b>	<b>DATE</b>	<b>DESCRIPTION</b>	<b>CHANGED BY</b>
A00	00	2005-07-17	First issue	

## **CONTENTS**

<b>1.Functions &amp; Features</b>	<b>1</b>
<b>2.Mechanical Specifications</b>	<b>1</b>
<b>3.Block Diagram</b>	<b>1</b>
<b>4.Dimensional Outline</b>	<b>2</b>
<b>5.Power Supply</b>	<b>3</b>
<b>6.Pin Description</b>	<b>3</b>
<b>7.Maximum Absolute Limit</b>	<b>4</b>
<b>8.Electrical Characteristics</b>	<b>4</b>
<b>9.Control and Display Command</b>	<b>6</b>
<b>10.Standard Character Pattern</b>	<b>7</b>
<b>11.Relationship between DDRAM and CGRAM</b>	<b>8</b>
<b>12.Initializing by Instruction</b>	<b>9</b>
<b>13. Package Specifications</b>	<b>11</b>
<b>14. Quality Specifications</b>	<b>12</b>
<b>15.Describe to the Part No.</b>	<b>19</b>

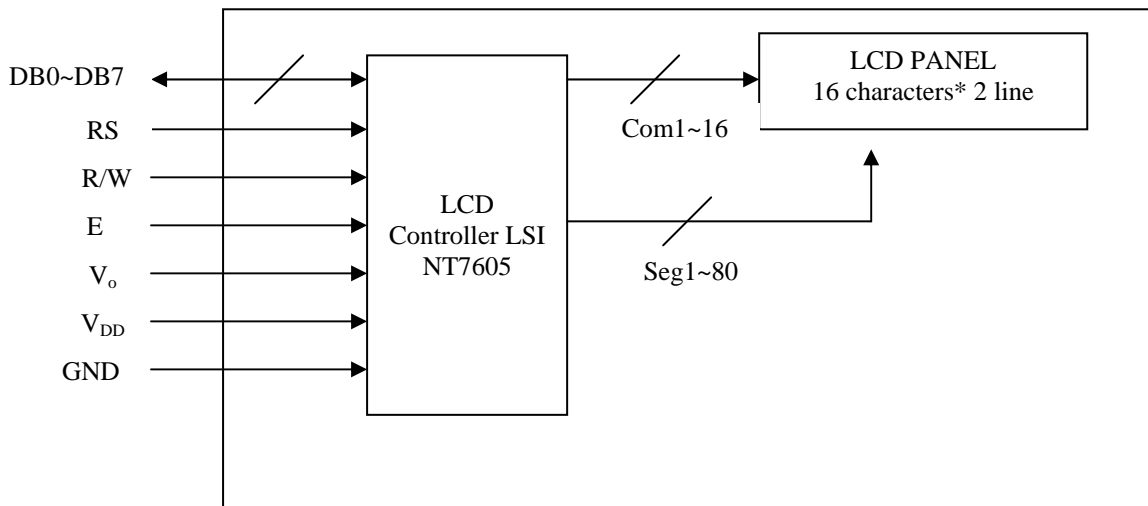
## 1.FUNCTIONS & FEATURES

- |   |   |
|---|---|
| 1-1. Format                                   | : 16 characters*2 line  |
| 1-2. LCD mode                                 | : STN/ /Yellow-Green /Positive /Transflective   |
| 1-3. Viewing direction                        | : 6 o'clock   |
| 1-4. Driving scheme                           | : 1/16 Duty, 1/5 Bias, Vlcd:4.5V  |
| 1-5. Internal Memory                          | : Standard 192 Character CGROM,5*8 dot patterns<br>: CGRAM (64*8bits)<br>: DDRAM (80*8bits) |
| 1-6. Easy interface with a 4-bit or 8-bit MPU |   |

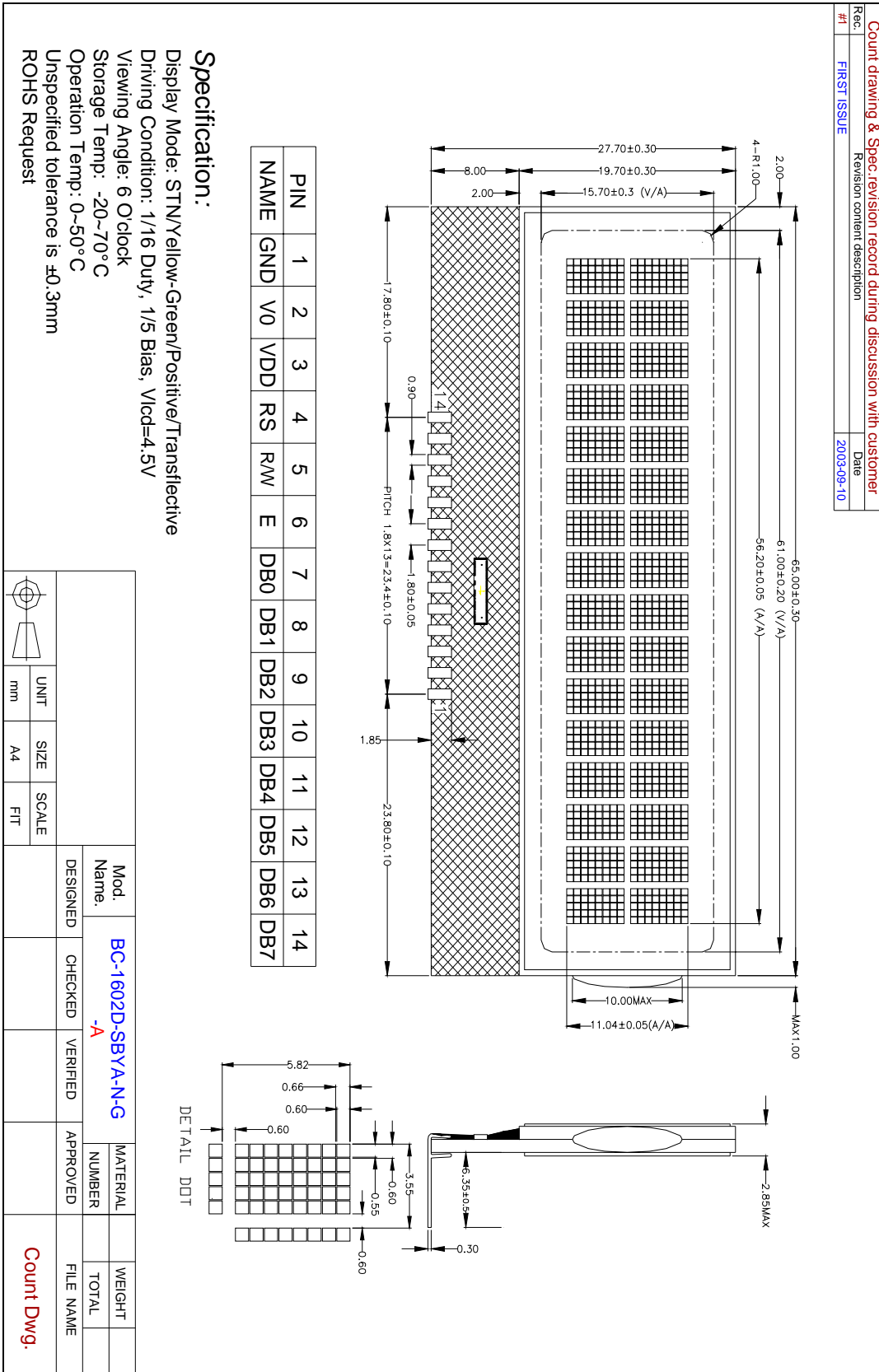
## 2.MECHANICAL SPECIFICATIONS

- |                   |                               |
|-------------------|-------------------------------|
| 2-1. Module size  | : 66 (W)*27.70(H)*2.85 MAX(T) |
| 2-2. Viewing area | : 61 (W)*15.70(H)             |
| 2-3. Dot pitch    | : 0.60(W)*0.66(H)             |
| 2-4. Dot size     | : 0.55(W)*0.60(H)             |

## 3.BLOCK DIAGRAM

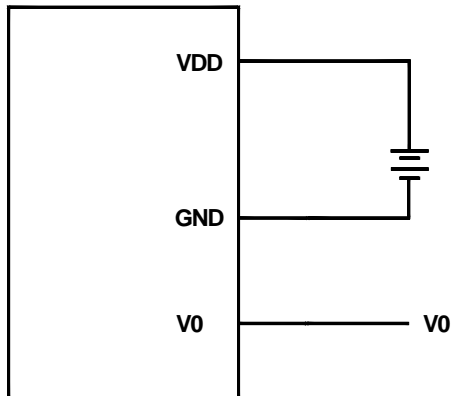


## 4.DIMENSIONAL OUTLINE



## 5. POWER SUPPLY

### LCD MODULE



$V_{DD}-V_0$ =Operating voltage for LCD

## 6. PIN DESCRIPTION

Pin no.	Symbol	Function
1	GND	Ground
2	$V_0$	Voltage level for LCD driving
3	$V_{DD}$	Supply voltage for logic circuit
4	RS	Selects register data "H" and instruction "L"
5	R/W	Use as read/write select input
6	E	Use as read/write enable signal
7	DB0	Display data signal
8	DB1	
9	DB2	
10	DB3	
11	DB4	
12	DB5	
13	DB6	
14	DB7	

## 7. MAXIMUM ABSOLUTE LIMIT (T=25°C)

Item	Symbol	Standard value	Unit
Power supply voltage	$V_{DD}$	-0.3~+7.0	V
Power supply voltage	$V_1-V_5$	0~ $V_{DD}+0.3$	V
Operating temperature	$T_{opr}$	0~+50	°C
Storage temperature	$T_{stg}$	-20~+70	°C

Note: Voltage greater than above may damage the module

## 8.ELECTRICAL CHARACTERISTICS

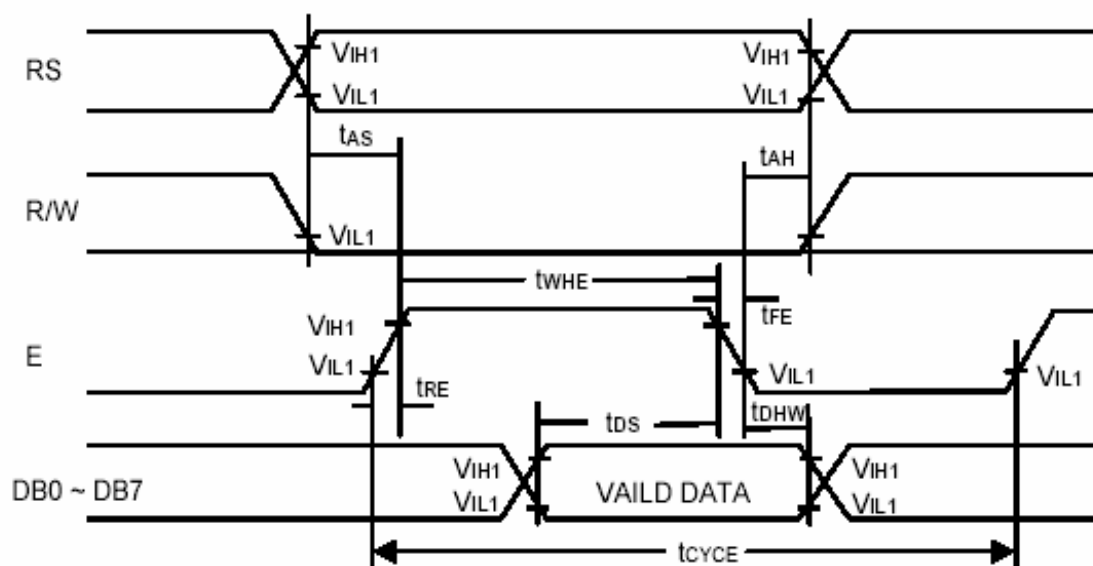
### 8-1. DC Characteristics ( $V_{DD}=2.8\sim 4.5V, T_a=0\sim +50^{\circ}C$ )

Item	Symbol	Min	Typ	Max	Unit	Applicable terminal	Test condition
Operating voltage	$V_{DD}$	2.8	3.3	3.8	V	-	-
Supply current	$I_{DD}$			1	mA	-	-
Input voltage	$V_{IL}$	-0.3	-	$0.2 V_{DD}$	V	RS,R/W E,D0~D7	-
	$V_{IH}$	$0.8 V_{DD}$	-	$V_{DD}$	V		-
Output voltage	$V_{OL}$	-	-	0.6	V	D0~D7	$I_{OL}=1.2mA$
	$V_{OH}$	$V_{DD}.0.6$	-	-	V	-	$I_{OH}=-1.2mA$
Input leakage current	$I_{IKG}$	-1	-	1	$\mu A$	E	$V_{IN}=0$ to $V_{DD}$
LCD driving voltage	$V_{LCD}$	4.3	4.5	4.8	V	$V_{DD}-V_0$	-

### 8-2. AC Characteristics ( $V_{DD}=2.8\sim 4.5V, GND=0V, T_a=0\sim +50^{\circ}C$ )

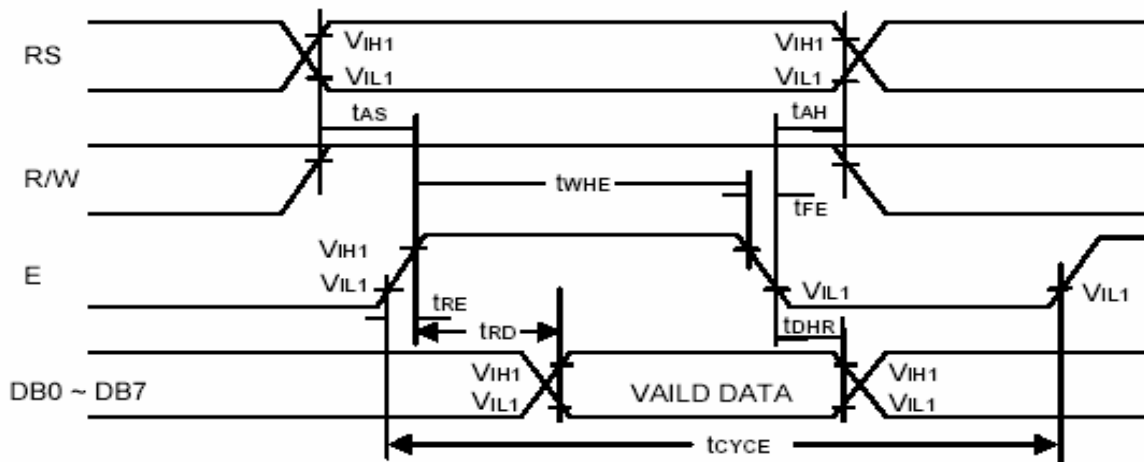
#### 8-2-1. Write mode (Writing data from MPU to LCD MODULE)

Symbol	Parameter	Min.	Typ.	Max.	Unit	Conditions
$t_{CYCE}$	Enable Cycle Time	500	-	-	ns	Figure 2
$t_{WHE}$	Enable "H" Level Pulse Width	300	-	-	ns	Figure 2
$t_{RE}, t_{FE}$	Enable Rise/Fall Time	-	-	25	ns	Figure 2
$t_{AS}$	RS, R/W Setup Time	$60^1$	-	-	ns	Figure 2
		$100^2$				
$t_{AH}$	RS, R/W Address Hold Time	10	-	-	ns	Figure 2
$t_{DS}$	Data Output Delay	150	-	-	ns	Figure 2
$t_{DHW}$	Data Hold Time	10	-	-	ns	Figure 2



### 8-2-2. Read mode (Reading data from LCD MODULE to MPU)

Symbol	Parameter	Min.	Typ.	Max.	Unit	Conditions
tCYCE	Enable Cycle Time	500	-	-	ns	Figure 1
twHE	Enable "H" Level Pulse Width	300	-	-	ns	Figure 1
tRE, tFE	Enable Rise/Fall Time	-	-	25	ns	Figure 1
tAS	RS, R/W Setup Time	60 <sup>1</sup>	-	-	ns	Figure 1
		100 <sup>2</sup>				
tAH	RS, R/W Address Hold Time	10	-	-	ns	Figure 1
trD	Read Data Output Delay	-	-	190	ns	Figure 1
tDHR	Read Data Hold Time	20	-	-	ns	Figure 1



## 9.CONTROL AND DISPLAY COMMAND

Instruction	Code										Function	Execution time (max) (fosc = 250KHz)
	RS	RW	DB7	DB6	DB5	DB4	DB3	DB2	DB1	DB0		
Display Clear	0	0	0	0	0	0	0	0	0	1	Clear entire display area, Restore display from shift, and load address counter with DD RAM address 00H	1.64ms
Display/ Cursor Home	0	0	0	0	0	0	0	0	0	*	Restore display from shift and load address counter with DD RAM address 00H	1.64ms
Entry Mode Set	0	0	0	0	0	0	0	1	I/D	S	Specify direction of cursor movement and display shift mode. This operation takes place after each data transfer (read/write)	40µs
Display ON/OFF	0	0	0	0	0	0	1	D	C	B	Specify activation of display (D) cursor (C) and blinking of character at cursor position (B)	40µs
Display/ Cursor Shift	0	0	0	0	0	1	S/C	R/L	*	*	Shift display or move cursor	40µs
Function Set	0	0	0	0	1	DL	N	F	*	*	Set interface data length (DL), number of the display line (N), and character font (F)	40µs
RAM Address Set	0	0	0	1	ACG					Load the address counter with a CG RAM address Subsequent data access is for CG RAM data	40µs	
DD RAM Address Set	0	0	1	ADD					Load the address counter with a DD RAM address Subsequent data access is for DD RAM data	40µs		
Busy Flag/ Address Counter Read	0	1	BF	AC					Read Busy Flag (BF) and contents of Address Counter (AC)	1µs		
CG RAM/ DD RAM Data Write	1	0	Write data					Write data to CG RAM or DD RAM	40µs			
CG RAM/ DD RAM Data Read	1	1	Read data					Read data from CG RAM or DD RAM	40µs			
	I/D = 1 : Increment S = 1 : Display Shift On D = 1 : Display On C = 1 : Cursor Display On B = 1 : Cursor Blink On S/C = 1 : Shift Display R/L = 1 : Shift Right DL = 1 : 8-Bit N = 1 : Dual Line F = 1 : 5x10 dots BF = 1 : Internal Operation BF = 0 : Ready for Instruction					I/D = 0 : Decrement R/L = 0 : Shift Left DL = 0 : 4-Bit N = 0 : Signal Line F = 0 : 5x8 dots					DD RAM : Display Data RAM  CG RAM : Character Generator RAM ACG : Character Generator RAM Address ADD : Display Data RAM Address AC : Address Counter	

Note 1: Symbol "\*" signifies an insignificant bit (disregard).

Note 2: Correct input value for "N" is predetermined for each model.

## 10. STANDARD CHARACTER PATTERN

		Higher 4-bit (D4 to D7) of Character Code (Hexadecimal)																		
		0	1	2	3	4	5	6	7	8	9	A	B	C	D	E	F			
Lower 4-bit (D0 to D3) of Character Code (Hexadecimal)	0	CG RAM (1)			0	1	2	3	4	5	6	7	8	9	A	B	C	D	E	F
	1	CG RAM (2)			!	2	3	4	5	6	7	8	9	A	B	C	D	E	F	
	2	CG RAM (3)			"	2	3	4	5	6	7	8	9	A	B	C	D	E	F	
	3	CG RAM (4)			#	3	4	5	6	7	8	9	A	B	C	D	E	F		
	4	CG RAM (5)			\$	4	5	6	7	8	9	A	B	C	D	E	F			
	5	CG RAM (6)			%	5	6	7	8	9	A	B	C	D	E	F				
	6	CG RAM (7)			&	6	7	8	9	A	B	C	D	E	F					
	7	CG RAM (8)			'	7	8	9	A	B	C	D	E	F						
	8	CG RAM (1)			(	8	9	A	B	C	D	E	F							
	9	CG RAM (2)			)	9	A	B	C	D	E	F								
	A	CG RAM (3)			*	A	B	C	D	E	F									
	B	CG RAM (4)			+	B	C	D	E	F										
	C	CG RAM (5)			,	C	D	E	F											
	D	CG RAM (6)			-	D	E	F												
	E	CG RAM (7)			.	E	F													
	F	CG RAM (8)			/	F														

## 11.RELATIONSHIP BETWEEN DDRAM AND CGRAM

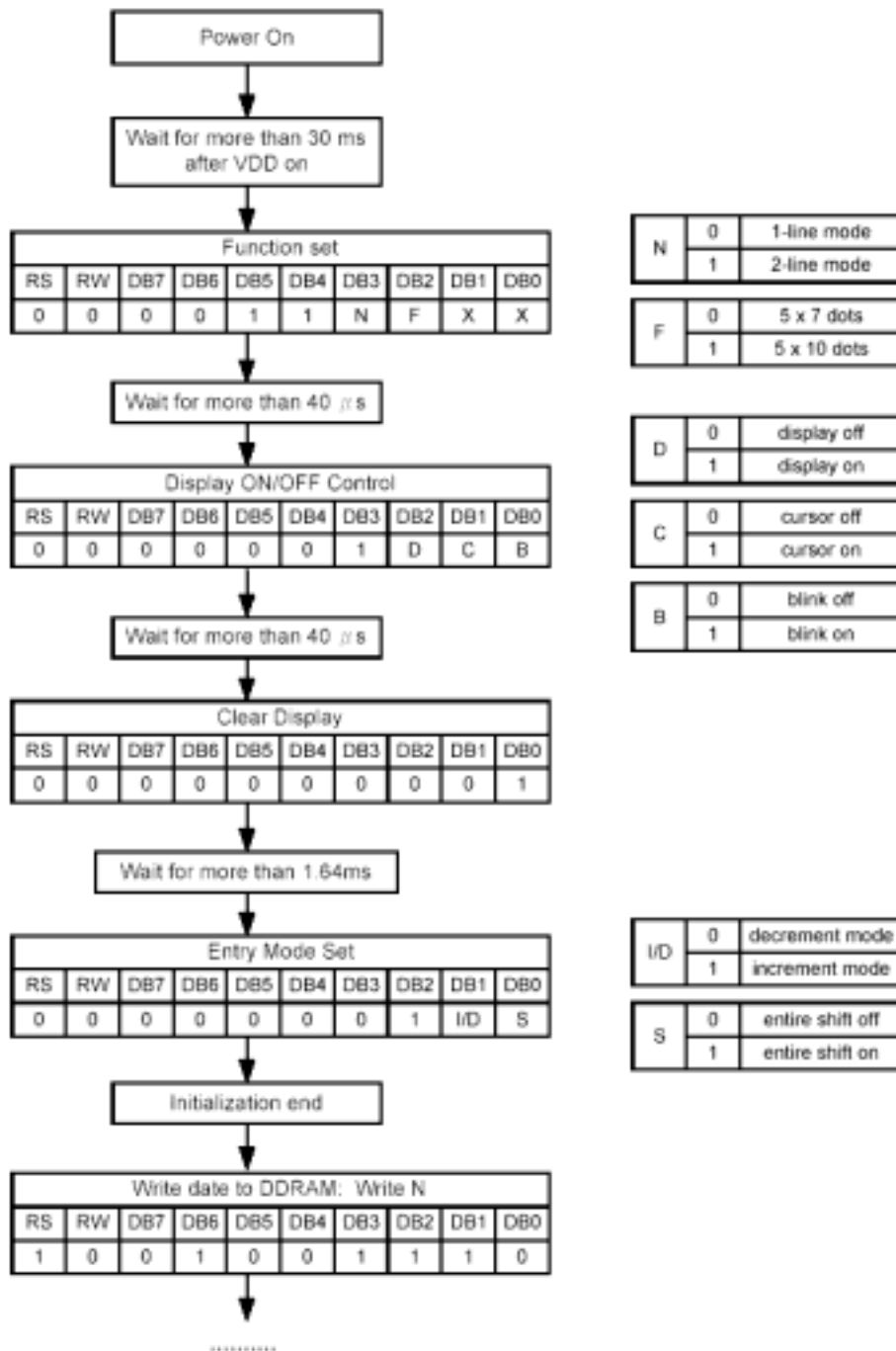
Character code (DDRAM data)	CGRAM address	CGRAM data	Pattern
D7 D6 D5 D4 D3 D2 D1 D0	A5 A4 A3 A2 A1 A0	P7 P6 P5 P4 P3 P2 P1 P0	Number
0 0 0 0 x 0 0 0	0 0 0 0 0 0	x x x 1 0 0 0 1	Pattern1
.	. 0 0 1	. 1 0 0 0 1	
.	. 0 1 0	. 1 0 0 0 1	
.	. 0 1 1	. 0 1 0 1 0	
.	. 1 0 0	. 0 0 1 0 0	
.	. 1 0 1	. 0 0 1 0 0	
.	. 1 1 0	. 0 0 1 0 0	
.	. 1 1 1	. 0 0 0 0 0	
.	.	.	.
.	.	.	.
0 0 0 0 x 1 1 1	1 1 1 0 0 0	x x x 1 1 1 1 0	Pattern8
.	. 0 0 1	. 1 0 0 0 1	
.	. 0 1 0	. 1 0 0 0 1	
.	. 0 1 1	. 1 1 1 1 0	
.	. 1 0 0	. 1 0 0 0 1	
.	. 1 0 1	. 1 0 0 0 1	
.	. 1 1 0	. 1 1 1 1 0	
.	. 1 1 1	. 0 0 0 0 0	

CGRAM has up to 5\*8 dots 8 characters.

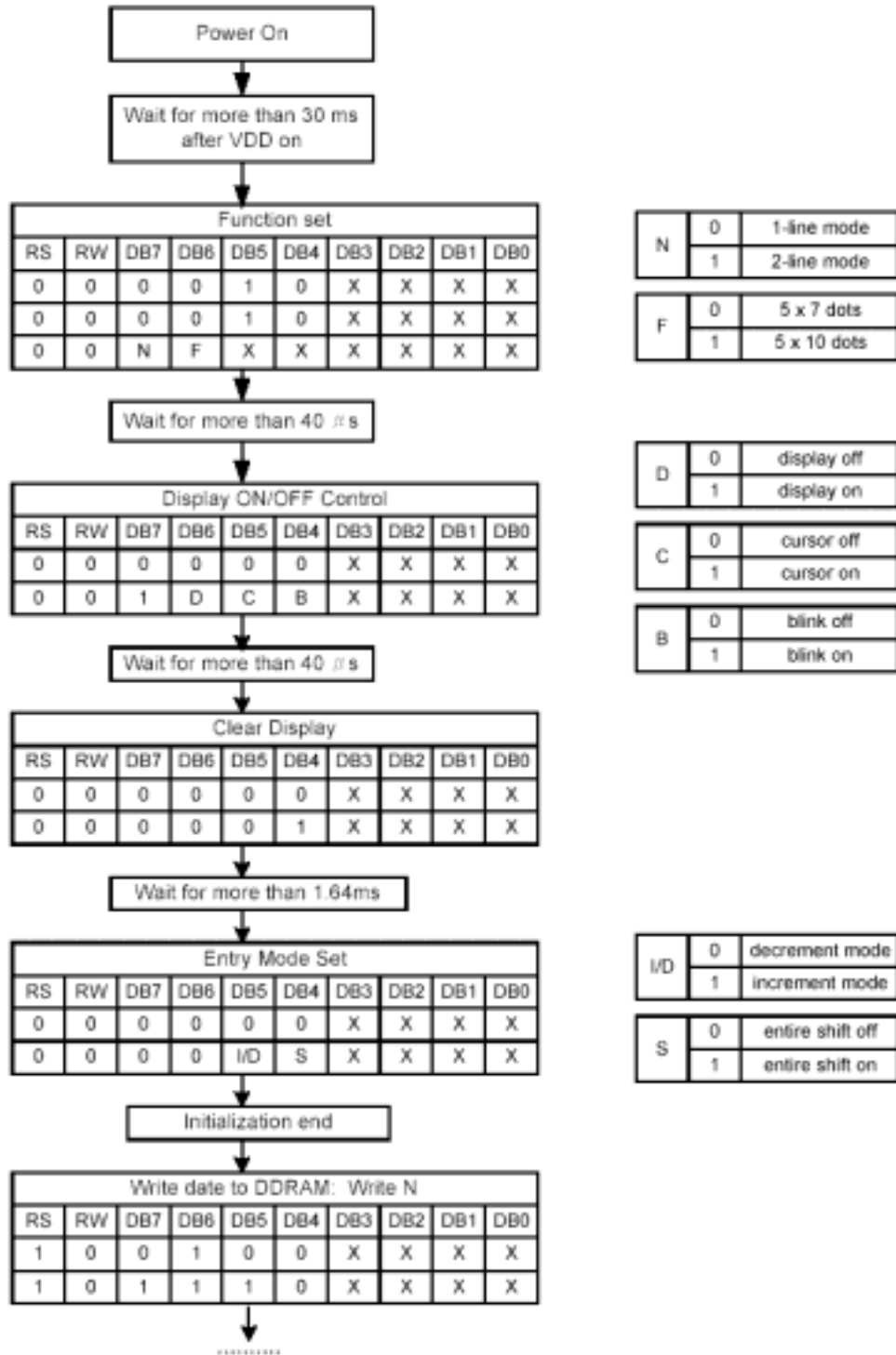
By writing font data to CGRAM, user defined characters can be used

## 12. INITIALIZING BY INSTRUCTION

8-bit Interface



4-bit Interface



### 13. Package Specifications

REV	DESCRIPTION	DATE
00	FIRST ISSUE	2005-02-22

NAME	UNIT	QTY PER	SPEC	MATERIAL	REMARK
1	PCS	1	400*300*285	PAPER	*A-TPY
2	PCS	1	375*270*260	PAPER	*A-TPY
3	m	3	1	PE	++ SHAPE
4	PCS	9	360*255*31	PS	ESD 10 <sup>6</sup> ~10 <sup>8</sup>
5	PCS	8	288.40*195.50*2	EPE	ESD 10 <sup>6</sup> ~10 <sup>8</sup>
6	PCS	160			BE CAREFUL IN PUT
7	PCS	8	1g		
8	PCS	2	360*255*6	PAPER	*A-TPY

**Specification:**

One sub-carton contains 9 layers packings, 20 modules live in each packing. Each bottom and top side a stiff board is added to stiffen the packings and on the top a empty ps is put, then using adhesive tape for enlacing. One sub-carton are placed in the outside carton.  
 One carton can contain 8X20=160 modules.

	UNIT mm	SIZE A4	SCALE FIT		
--	------------	------------	--------------	--	--

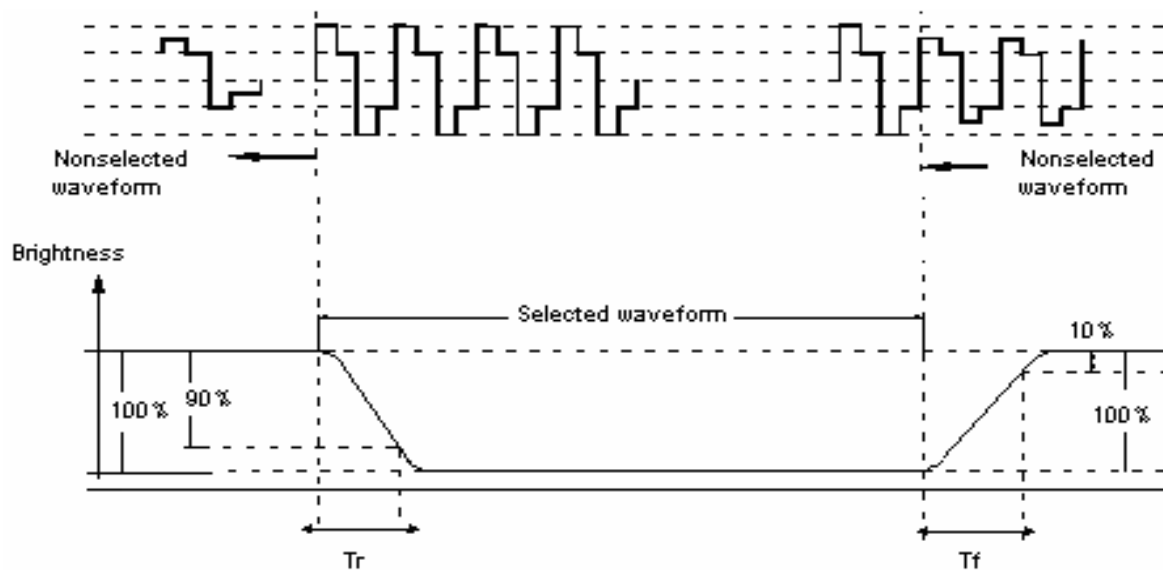
PART. NO.	BC-1602D-PK-N-G	MATERIAL NUMBER	WEIGHT TOTAL
DESIGNED	CHECKED	VERIFIED	APPROVED
FILE NAME	PACKAGE		

## 14. Quality Specifications

### 14-1. Electro-Optic Characteristics

NO	ITEM		Symbol	Temp	Rating			Unit	
					Min	Typ	Max		
1	Response	Rise time	Tr	25	N/A	97.6	300	Ms	
	time	Fall time	Tf						25
2	Operating Frequency		Ff	25		64			
3	Contrast Rate		Cr	25	2	4.482	9.268		
4	Viewing Direction		6 0 ' CLOCK						
5	Viewing Angle	12H =90 °	1	25		42		Deg	
		6H =270 °	2			41			
		3H =0 °	3			32			
		9H =180 °	4			40			
6	Current consumption		Is	25		5.9	8.9	uA	
7	Capacitance		C	25		2.5		nF	

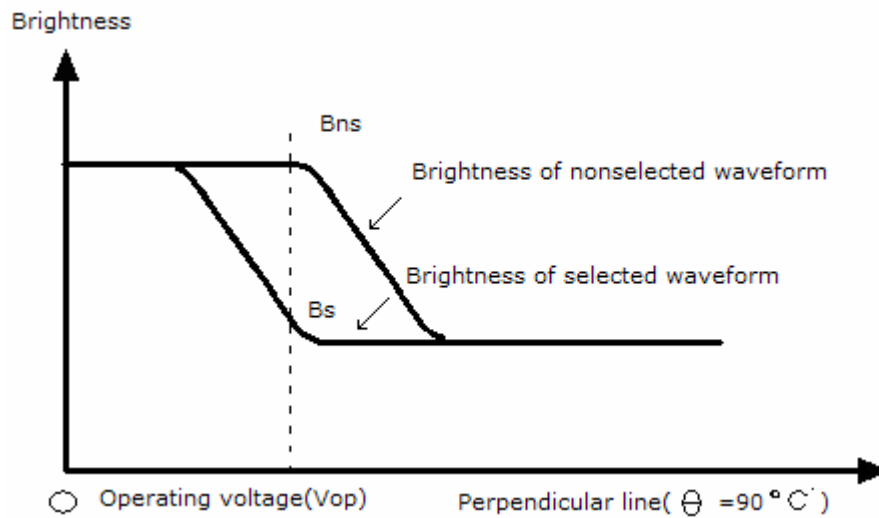
#### Response Time



#### Measuring Condition:

1. Driving waveform: 1/N Duty, 1/a Bias selected waveform.
2. Driving Frequency: Typical value in Individual specification.
3. Operating Voltage: LCD driving voltage getting maximum contrast rate.
4. Measuring Angle: See Individual Specification.
5. Measuring Temperature: See Individual Specification.

## Contrast Ratio Definition



$$\text{Contrast Ratio(Cr)} = \frac{\text{Brightness of non-selected waveform(Bns)}}{\text{Brightness of selected waveform(Bs)}}$$

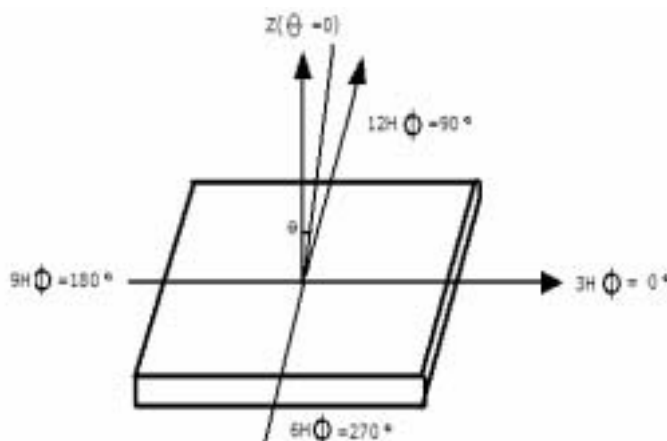
## Viewing Angle

θ: Angle between Viewer Direction and Normal.

(-90°      90°)

φ: Angle between Projection of Viewer Direction to X-Y plane and Y axis.

(0°   φ   360°)



## Measuring Condition

1. Driving Voltage: Same as Vop.
2. Driving Frequency: Same as Frame Frequency

## 14-2. Specification of quality assurance

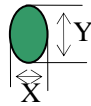
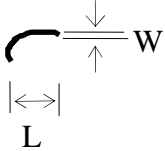
AQL inspection standard

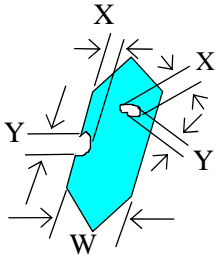
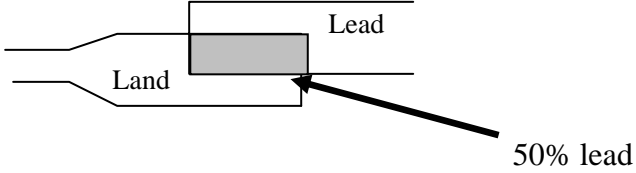
Sampling method: MIL-STD-105E, Level II, single sampling

### Defect classification

Classify	Item		Note	AQL
Major	Display state	Short or open circuit	1	0.65
		Contrast defect (dim, ghost)		
		LC leakage		
		Flickering		
		No display		
		Wrong viewing direction	2	
		Wrong Back-light	7	
	Non-display	Flat cable or pin reverse	9	
Wrong or missing component		10		
Minor	Display state	Background color deviation	2	1.5
		Black spot and dust	3	
		Line defect	4	
		Scratch		
		Rainbow	5	
		Pin hole	6	
	Polarizer	Bubble and foreign material	3	
		Scratch	4	
	PCB	Scratch	4	
	Soldering	Poor connection	8	
	Wire	Poor connection	9	

**Note on defect classification**

No.	Item	Criterion																				
1	Short or open circuit	Not allow																				
	LC leakage																					
	Flickering																					
	No display																					
	Wrong viewing direction																					
	Wrong Back-light																					
2	Contrast defect	Refer to approval sample																				
	Background color deviation																					
3	Point defect, Black spot, dust (incl. Polarizer)  $\phi = (X+Y)/2$	 <table border="1" data-bbox="938 913 1380 1211"> <thead> <tr> <th>Point Size</th> <th>Acceptable Qty.</th> </tr> </thead> <tbody> <tr> <td><math>\phi \leq 0.10</math></td> <td>Disregard</td> </tr> <tr> <td><math>0.10 &lt; \phi \leq 0.20</math></td> <td>3</td> </tr> <tr> <td><math>0.20 &lt; \phi \leq 0.25</math></td> <td>2</td> </tr> <tr> <td><math>0.25 &lt; \phi \leq 0.30</math></td> <td>1</td> </tr> <tr> <td><math>\phi &gt; 0.30</math></td> <td>0</td> </tr> </tbody> </table> <p>Unit : mm</p>	Point Size	Acceptable Qty.	$\phi \leq 0.10$	Disregard	$0.10 < \phi \leq 0.20$	3	$0.20 < \phi \leq 0.25$	2	$0.25 < \phi \leq 0.30$	1	$\phi > 0.30$	0								
Point Size	Acceptable Qty.																					
$\phi \leq 0.10$	Disregard																					
$0.10 < \phi \leq 0.20$	3																					
$0.20 < \phi \leq 0.25$	2																					
$0.25 < \phi \leq 0.30$	1																					
$\phi > 0.30$	0																					
4	Line defect	 <table border="1" data-bbox="869 1384 1422 1644"> <thead> <tr> <th colspan="2">Line</th> <th>Acceptable Qty.</th> </tr> <tr> <th>L</th> <th>W</th> <th></th> </tr> </thead> <tbody> <tr> <td>---</td> <td><math>0.015 &lt; W</math></td> <td>Disregard</td> </tr> <tr> <td>3.0 L</td> <td><math>0.03 &lt; W</math></td> <td rowspan="2">2</td> </tr> <tr> <td>2.0 L</td> <td><math>0.05 &lt; W</math></td> </tr> <tr> <td>1.0 L</td> <td><math>0.1 &gt; W</math></td> <td>1</td> </tr> <tr> <td>---</td> <td><math>0.05 &lt; W</math></td> <td>Applied as point defect</td> </tr> </tbody> </table> <p>Unit: mm</p>	Line		Acceptable Qty.	L	W		---	$0.015 < W$	Disregard	3.0 L	$0.03 < W$	2	2.0 L	$0.05 < W$	1.0 L	$0.1 > W$	1	---	$0.05 < W$	Applied as point defect
Line		Acceptable Qty.																				
L	W																					
---	$0.015 < W$	Disregard																				
3.0 L	$0.03 < W$	2																				
2.0 L	$0.05 < W$																					
1.0 L	$0.1 > W$	1																				
---	$0.05 < W$	Applied as point defect																				
5	Rainbow	Not more than two color changes across the viewing area.																				

No.	Item	Criterion								
6	Segment pattern W = Segment width $\phi = (X+Y)/2$	<p>(1) Pin hole</p> <p><math>\phi &lt; 0.10\text{mm}</math> is acceptable.</p>  <table border="1" data-bbox="933 488 1396 667"> <thead> <tr> <th>Point Size</th> <th>Acceptable Qty</th> </tr> </thead> <tbody> <tr> <td><math>\phi &lt; 1/4W</math></td> <td>Disregard</td> </tr> <tr> <td><math>1/4W &lt; \phi &lt; 1/2W</math></td> <td>1</td> </tr> <tr> <td><math>\phi &gt; 1/2W</math></td> <td>0</td> </tr> </tbody> </table> <p>Unit: mm</p>	Point Size	Acceptable Qty	$\phi < 1/4W$	Disregard	$1/4W < \phi < 1/2W$	1	$\phi > 1/2W$	0
Point Size	Acceptable Qty									
$\phi < 1/4W$	Disregard									
$1/4W < \phi < 1/2W$	1									
$\phi > 1/2W$	0									
7	Back-light	<p>(1) The color of backlight should correspond its specification.</p> <p>(2) Not allow flickering</p>								
8	Soldering	<p>(1) Not allow heavy dirty and solder ball on PCB. (The size of dirty refer to point and dust defect)</p> <p>(2) Over 50% of lead should be soldered on Land.</p> 								
9	Wire	<p>(1) Copper wire should not be rusted</p> <p>(2) Not allow crack on copper wire connection.</p> <p>(3) Not allow reversing the position of the flat cable.</p> <p>(4) Not allow exposed copper wire inside the flat cable.</p>								
10	PCB	<p>(1) Not allow screw rust or damage.</p> <p>(2) Not allow missing or wrong putting of component.</p>								

### 14-3. Reliability of LCM

Reliability test condition:

Item	Condition	Time (hrs)	Assessment
High temp. Storage	70°C	240	No abnormalities in functions and appearance
High temp. Operating	50°C	240	
Low temp. Storage	-20°C	240	
Low temp. Operating	0°C	240	
Humidity	40°C/ 90%RH	240	
Temp. Cycle	-20°C ← 25°C →70°C (1 hour← 5 min →1 hour)	10cycles	

Recovery time should be 24 hours minimum. Moreover, functions, performance and appearance shall be free from remarkable deterioration within 50,000 hours under ordinary operating and storage conditions room temperature (20±8°C), normal humidity (below 65% RH), and in the area not exposed to direct sun light.

### 14-4. Precaution for using LCM

LCM is assembled and adjusted with a high degree of precision. Do not attempt to make any alteration or modification. The followings should be noted.

**General Precautions:**

1. LCD panel is made of glass. Avoid excessive mechanical shock or applying strong pressure onto the surface of display area.
2. The polarizer used on the display surface is easily scratched and damaged. Extreme care should be taken when handling. To clean dust or dirt off the display surface, wipe gently with cotton, or other soft material soaked with isopropyl alcohol, ethyl alcohol or trichlorotrifluoroethane, do not use water, ketone or aromatics and never scrub hard.
3. Do not tamper in any way with the tabs on the metal frame.
4. Do not made any modification on the PCB without consulting YB.
5. When mounting a LCM, make sure that the PCB is not under any stress such as bending or twisting. Elastomer contacts are very delicate and missing pixels could result from slight dislocation of any of the elements.
6. Avoid pressing on the metal bezel, otherwise the elastomer connector could be deformed and lose contact, resulting in missing pixels and also cause rainbow on the display.
7. Be careful not to touch or swallow liquid crystal that might leak from a damaged cell. Any liquid crystal adheres to skin or clothes, wash it off immediately with soap and water.

**Static Electricity Precautions:**

1. CMOS-LSI is used for the module circuit; therefore operators should be grounded whenever he/she comes into contact with the module.
2. Do not touch any of the conductive parts such as the LSI pads; the copper leads on the PCB and the interface terminals with any parts of the human body.
3. Do not touch the connection terminals of the display with bare hand; it will cause disconnection or defective insulation of terminals.
4. The modules should be kept in anti-static bags or other containers resistant to static for storage.
5. Only properly grounded soldering irons should be used.
6. If an electric screwdriver is used, it should be grounded and shielded to prevent sparks.
7. The normal static prevention measures should be observed for work clothes and working benches.
8. Since dry air is inductive to static, a relative humidity of 50-60% is recommended.

**Soldering Precautions:**

1. Soldering should be performed only on the I/O terminals.
2. Use soldering irons with proper grounding and no leakage.
3. Soldering temperature:  $300^{\circ}\text{C} \pm 10^{\circ}\text{C}$
4. Soldering time: 3 to 4 second.
5. Use eutectic solder with resin flux filling.
6. If flux is used, the LCD surface should be protected to avoid spattering flux.
7. Flux residue should be removed.

**Operation Precautions:**

1. The viewing angle can be adjusted by varying the LCD driving voltage  $V_o$ .
2. Since applied DC voltage causes electro-chemical reactions, which deteriorate the display, the applied pulse waveform should be a symmetric waveform such that no DC component remains. Be sure to use the specified operating voltage.
3. Driving voltage should be kept within specified range; excess voltage will shorten display life.
4. Response time increases with decrease in temperature.
5. Display color may be affected at temperatures above its operational range.

**Operation Precautions:**

1. Keep the temperature within the specified range usage and storage. Excessive temperature and humidity could cause polarization degradation, polarizer peel-off or generate bubbles.
2. For long-term storage over  $40^{\circ}\text{C}$  is required, the relative humidity should be kept below 60%. Avoid direct sunlight.

**Limited Warranty**

YB LCDs and modules are not consumer products, but may be incorporated by YB's customers into consumer products or components thereof, YB does not warrant that its LCDs and components are fit for any such particular purpose.

1. The liability of YB is limited to repair or replacement on the terms set forth below. YB will not be responsible for any subsequent or consequential events or injury or damage to any personnel or user including third party personnel and/or user. Unless otherwise

agreed in writing between YB and the customer, YB will only replace or repair any of its LCD which is found defective electrically or visually when inspected in accordance with YB GENERAL LCD INSPECTION STANDARD. (Copies available on request)

2. No warranty can be granted if any of the precautions state in handling liquid crystal display above has been disregarded. Broken glass, scratches on polarizer mechanical damages as well as defects that are caused accelerated environment tests are excluded from warranty.
3. In returning the LCD/LCM, they must be properly packaged; there should be detailed description of the failures or defect.

## **15.DESCRIBE TO THE PART NO:**

